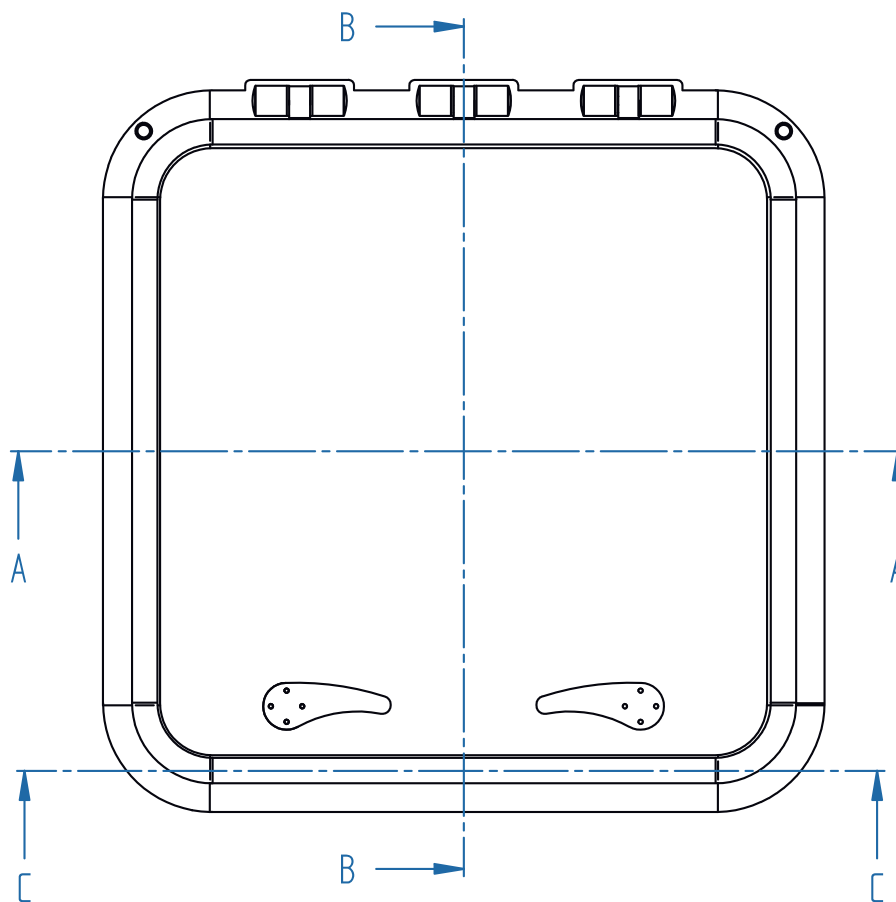


SEZIONE A-A



MADE IN STAINLESS STEEL AISI 316 L
FINISHING MIRROR POLISHED
PLATE DIMENSION ACCORDING CLASS
CODE T 39 ROUND LAYOUT
OTHER DIMENSIONS ON DEMAND



ALLUFER TEMPESTA S.R.L.

Via Aldo Manuzio - 04018 - Sezze (LT) - Italy
Phone +39 0773 88180 - Fax +39 0773 804410
www.allufertempesta.it - info@allufertempesta.it

T 31

HATCHES

GLASS RECTANGULAR HATCH